

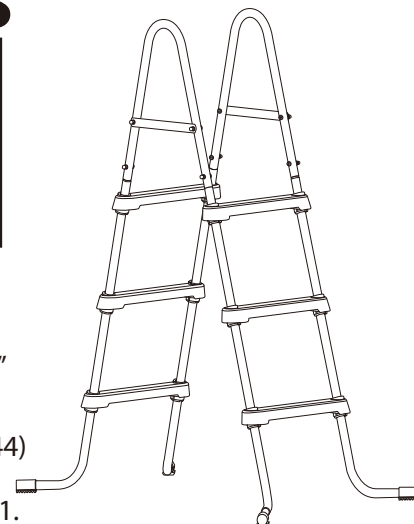
LADDER ASSEMBLY INSTRUCTIONS

WARNING - VERY IMPORTANT

* **LADDER WEIGHT LIMIT IS 300 POUNDS**

* LOOSE HARDWARE WILL RESULT IN LADDER FAILURE.

* The ladder will fail if the Machine Screws (45), Washers (46), Lock Washers (47), and Cap Nuts (48) holding handles to legs are not properly installed.



TOOLS REQUIRED:

• **Phillips head screwdriver** • **Small adjustable wrench (Not provided)**

1. Separate the Ladder Legs (40) – 2 pieces each left and right. Look for the “L” and “R” on the top of the legs.

2. Start with one “R” ladder leg section (40). Carefully pry open one ladder step clip (44) from the side, just enough to get over the top section of the ladder leg, and slide it from the top of the leg down to the lowest indented section as shown in Figure 1. The ridge on the ladder clip should be on the inside of the leg as shown in Figure 2. Repeat with “L” leg section.

3. Slide a step (42) down over both legs. Make sure that the side of the step marked with an “R” is on the right side leg. Slide the step down until the ladder step clips (44) inserts into the underside of the step and the ridges inside of the clips lock into place. The ladder step clips should stay in the indented section of the ladder leg as you press the steps down over them. The ladder step clips should insert flush against the bottom of the step. See Figure 2.

4. Repeat Steps 2 and 3, installing the rest of the ladder step clips (44) and steps (42) for the first section.

5. Assemble the second ladder leg section in the same manner, repeating step 2-4.

6. The Machine Screws (45) should be installed from the inside of the Handle (41), and out through the Ladder Handle Brace (49) on the outside. Make sure that the English warning is facing out on both handle sections. Install the Lock Washer (47), and thread the Cap Nut (48) on until the Ladder Brace tightens up against the Handle.

7. Stand both ladder leg sections in the upright position, with feet facing outward, as shown in Figure 3. Place the ladder handles (41), with the ladder handle braces on the outside of the ladder, on top of both ladder leg sections.

8. Make sure all of the steps are now level (parallel to the ground). If one section is different, lift handles and turn the ladder leg section around. Re-install handles and push down tightly.

9. From the inside of the ladder handles, insert the four machine screws (45) through the flat washers (46), then through the handle and fasten in place using the four lock washers (47) and cap nuts (48). See Figure 4.

NOTE: THIS STEP IS VERY IMPORTANT BECAUSE IT KEEPS THE HANDLES FROM SEPARATING FROM THE LEGS ¾ LADDER FAILURE WILL RESULT IF SCREWS ARE NOT PROPERLY INSTALLED!

NOTE: THIS LADDER IS DESIGNED AND MANUFACTURED FOR THE SPECIFIC POOL WALL HEIGHT AND OR DECK OF THE POOL. REMOVE AND SECURE LADDER WHEN POOL IS NOT OCCUPIED!

POOL LADDER PARTS LIST					
KEY	DESCRIPTION	3 FT. POOL WALL HEIGHT	3.5 FT. POOL WALL HEIGHT	4 FT. POOL WALL HEIGHT	52" POOL WALL HEIGHT
40	Ladder Legs	4	4	4	4
41	Ladder Handles	2	2	2	2
42	Ladder Steps	4	6	8	8
43	Leg End Caps	4	4	4	4
44	Ladder Step Clips	8	12	16	16
45	Machine Screws	8	8	8	8
46	Washers	4	4	4	4
47	Locking Washers	8	8	8	8
48	Cap Nuts	8	8	8	8
49	Ladder Brace with Warning	2	2	2	2

MAINTENANCE: 1. Keep ladder steps cleared off and free of mud, which causes slipping.

2. Retighten ladder hardware periodically; LOOSE HARDWARE WILL CAUSE LADDER FAILURE.

LADDER SAFETY:

LADDER SAFETY



WARNING:

1. **Locate ladder on a solid base, use the pool ladder as the only means of entering and exiting pool.**
2. **ONE PERSON ON THE LADDER/STAIR AT A TIME, instruct everyone not to swing, rock, jump, or dive from ladder.**
3. **FOR ENTRY / EXIT OF POOL, FACE THE LADDER AT ALL TIMES.**
4. **VERY IMPORTANT: REMOVE AND SECURE LADDER WHEN POOL IS NOT OCCUPIED; Help save a life by preventing unauthorized access to Pool.**
5. **Ladder shall be assembled and installed per manufacturer’s instruction.**
6. **To reduce the risk of injury or death, do not permit children to use this product unless they are closely supervised at all times.**
7. **During nighttime pool use, artificial lighting shall be used to illuminate all safety signs, ladders, steps, deck surfaces and walks.**

Install Ladder Handles (41) so that the braces with the warning are on the outside of the ladder legs, as shown.

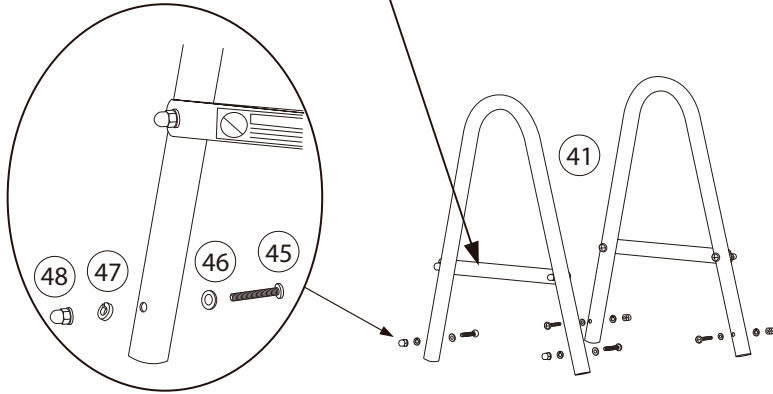
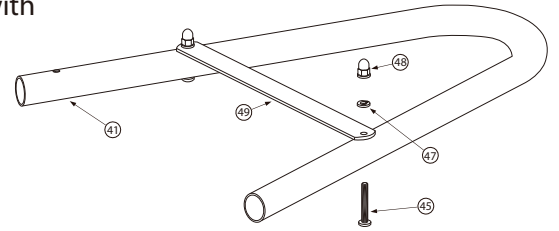


Fig. 4

The Machine Screws (45) should be installed from the inside of the Handle (41), and out through the Ladder Handle Brace (49) on the outside. Make sure that the English warning is facing out on both handle sections. Install the Lock Washer (47), and thread the Cap Nut (48) on until the Ladder Brace tightens up against the Handle.

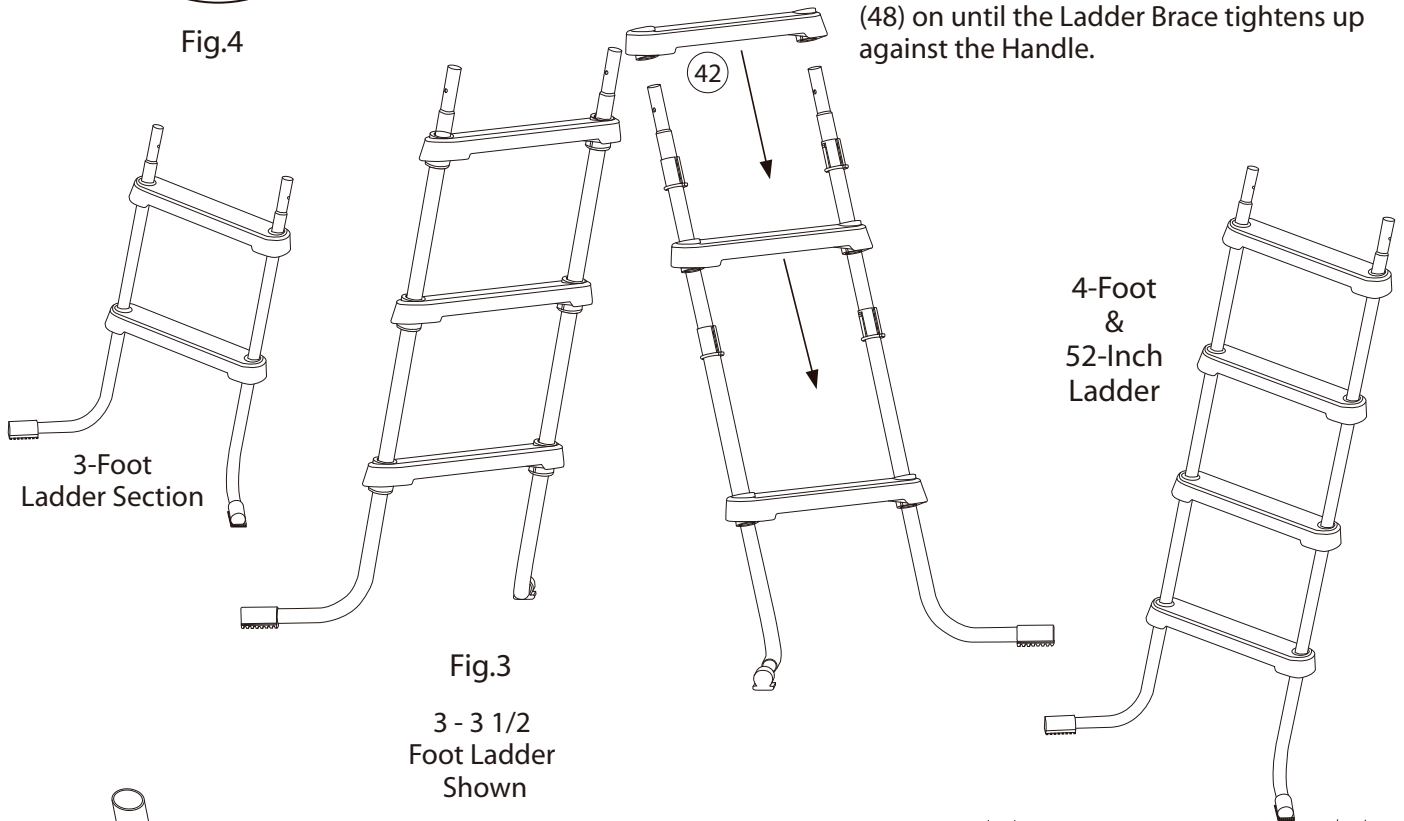


Fig. 3

3 - 3 1/2 Foot Ladder Shown

4-Foot & 52-Inch Ladder

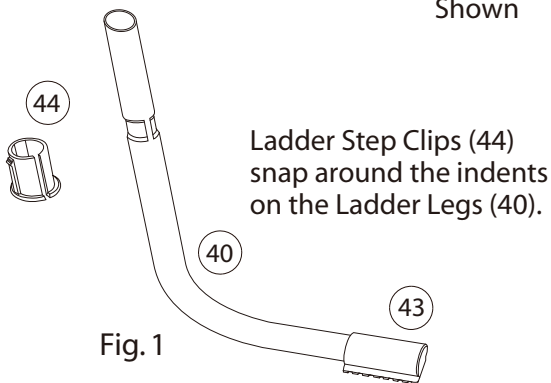


Fig. 1

Ladder Step Clips (44) snap around the indents on the Ladder Legs (40).

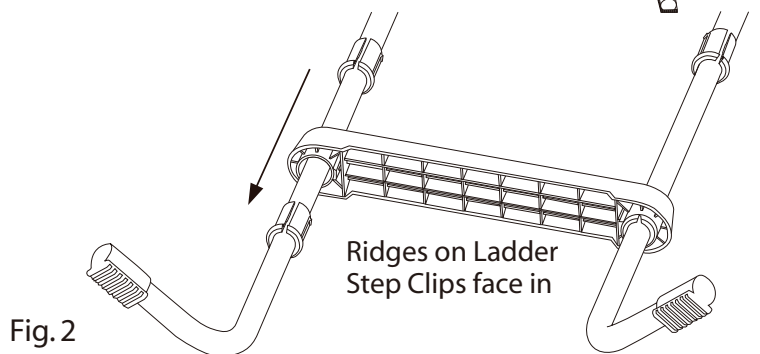



Fig. 2

Ridges on Ladder Step Clips face in

NOTICE: Additional Safety Info is molded into each Ladder Step. Please take some time to become familiar with this info.

Ladder Handle Brace Warning

 <p>WARNING</p>	<p>TO PREVENT ENTRAPMENT OR DROWNING DO NOT SWIM THROUGH, BEHIND, OR AROUND LADDER. NO DIVING / NO JUMPING FROM LADDER - SHALLOW WATER! REMOVE AND SECURE LADDER WHEN POOL IS NOT OCCUPIED. TO REDUCE THE RISK OF INJURY, DO NOT PERMIT CHILDREN TO USE THIS PRODUCT UNLESS THEY ARE CLOSELY SUPERVISED AT ALL TIMES.</p>
---	---

Should you encounter any problems, contact the Customer Service at (888) 919-0070. Extended operating days and hours during peak season requirements.